

# EJ Metals 10", 90 Degree Water Dump Chute Order Form



EJ Metals  
 1201 maple Creek Lane  
 New London, WI 54961  
 920-779-9913

EJ Metals Job # \_\_\_\_\_  
 EJ Metals RO# \_\_\_\_\_  
 Order Date \_\_\_\_\_  
 Ship Date \_\_\_\_\_  
 Customer PO# \_\_\_\_\_

Company Name \_\_\_\_\_  
 Contact Person \_\_\_\_\_  
 Phone Number \_\_\_\_\_ Email \_\_\_\_\_  
 Ship To Address \_\_\_\_\_  
 Bill To Address \_\_\_\_\_

**Color**  
 Red or Black \_\_\_\_\_  
 (Powder coated)  
 Silver DA \_\_\_\_\_

**Valve Air or Manual Op**

Air \_\_\_\_\_ Manual \_\_\_\_\_

**Chute Retracted Length**

\_\_\_\_\_ inches

**Cylinder Air or Manual Op**

Air \_\_\_\_\_ Manual \_\_\_\_\_

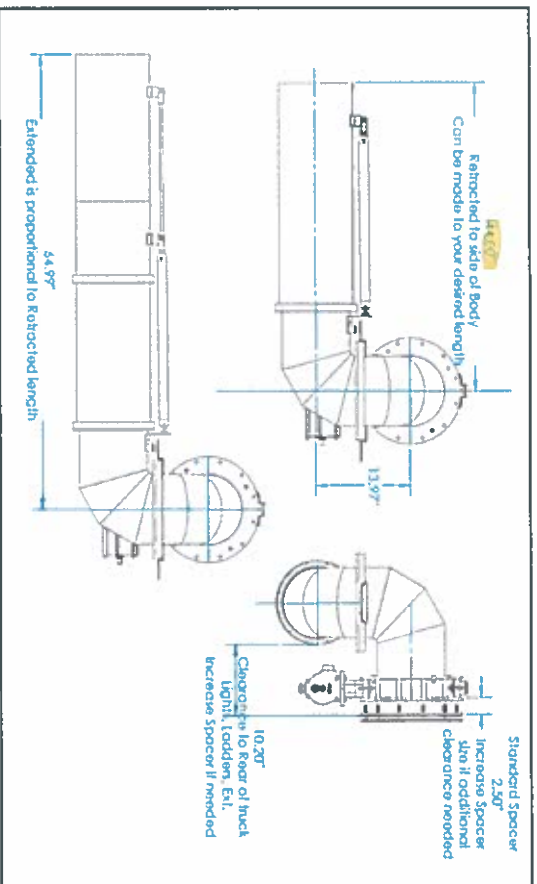
**Quantity**

\_\_\_\_\_

**Spacer Length**

Standard 2.5" \_\_\_\_\_ Custom \_\_\_\_\_ (Custom options 3, 3.5, 4, 4.5, 5, 5.5 or 6")

Retracted Length/Cylinder Length/Extended Length			
44	21	66.5	
43	20	64.5	
42	19	62.5	
41	18	60.5	
40	17	58.5	
39	16	56.5	
38	15	54.5	
37	14	52.5	
36	13	50.5	



**Highlights:** Lightweight, durable aluminum body, adjustable speeds for chute actuation, powder coated options, air or manual options, 180-degree swivel capabilities, chute tubes sealed on both ends to prevent leaks and to prevent contamination to sliding mechanism.  
 Customer Approval: \_\_\_\_\_ Date: \_\_\_\_\_